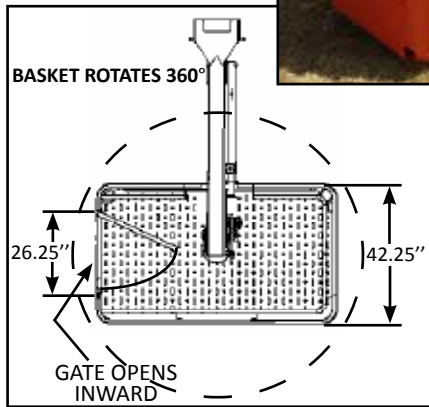


# Rotating



1200 lb. capacity

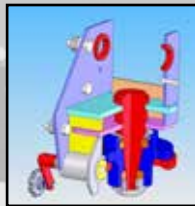


42" x 72"



## BRAKE

- High capacity caliper brake
- Heavy duty linkage
- Plated brake disc



## ROTATOR

- High Capacity hub, spindle and bearings
- Self locking worm gear
- 360° Rotation
- EXTREMELY SERVICEABLE

# Single-Man

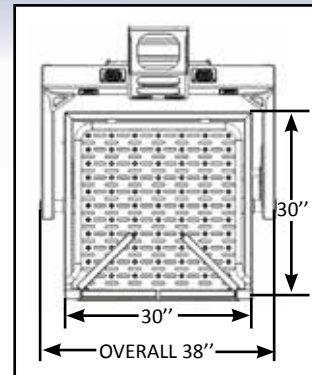


350 lb. capacity

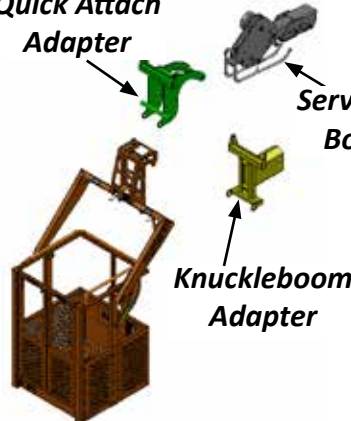
- Provides Fall Arrest & Fall Protection
- Eliminates Ladders or Climbing on Equipment
- Space saving inward opening gates promote easy basket entry



Baskets to fit Mini Crawler Cranes, Service Cranes, Knucklebooms, Boom Trucks and Truck Cranes



## Quick Attach Adapter



# Yoke

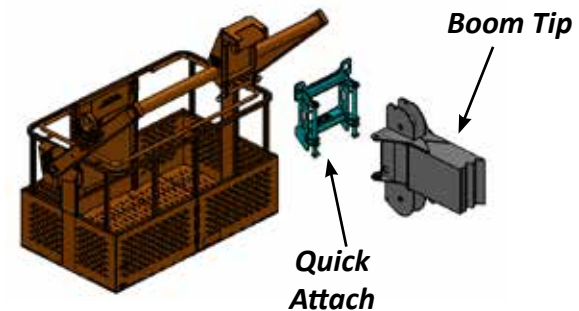


1200 lb. capacity

6 ft. & 4 ft. options



Pin Up Option for Easy Transport



# Options



*Test Weight Meets or Exceeds OSHA 29CFR Part 1926 for load testing to 125% of man basket capacity*

## Features and Benefits:

- Test weight combination permits testing of multiple basket capacities
- Works for baskets 48" - 72" long x 30" - 49" wide
- Adjustable cross beams with tiedown chain secures test weight to multiple man baskets
- Forklift pockets for ease of handling
- Hooks, chains and lifting points on test weight(s) for added convenience
- Clearly & Permanently marked test weights
- Test weight stores under basket for transport



Basket Carrier

**Contact Diversified for all your man basket needs. Yoke style 4', 6', single man, rotating, suspended and special requirements.**



By Diversified Products®

1001 Webster Ave.  
Waco, TX 76706  
  
254-757-1177  
www.lift-wise.com  
noahg@diversifiedproduct.com  
©2015 Diversified Products

*Photos and diagrams are for promotional purposes only.*

*Product design and specifications may change without notice or obligation.*



## Man Baskets by Diversified Products

