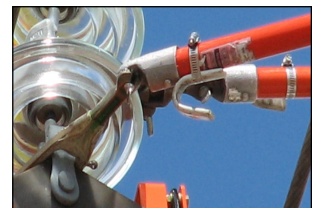
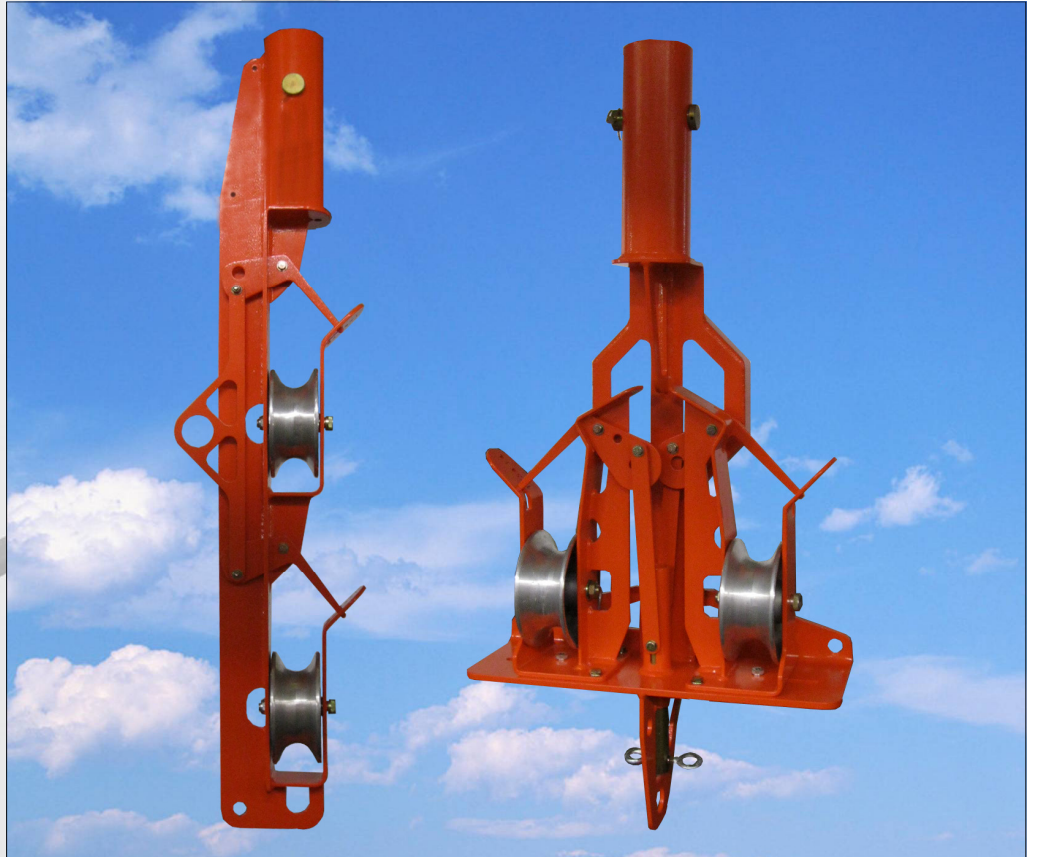
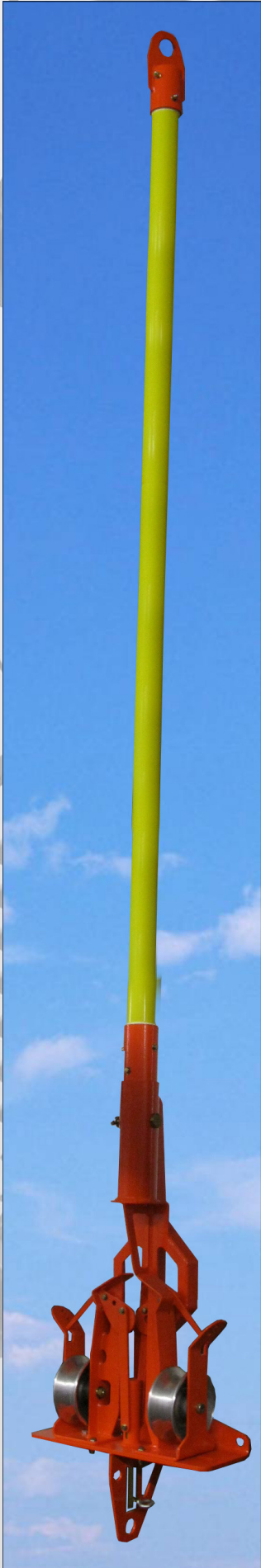


# TOOL CARRIER



**DIVERSIFIED**

**P R O D U C T S**

(254) 757-1177

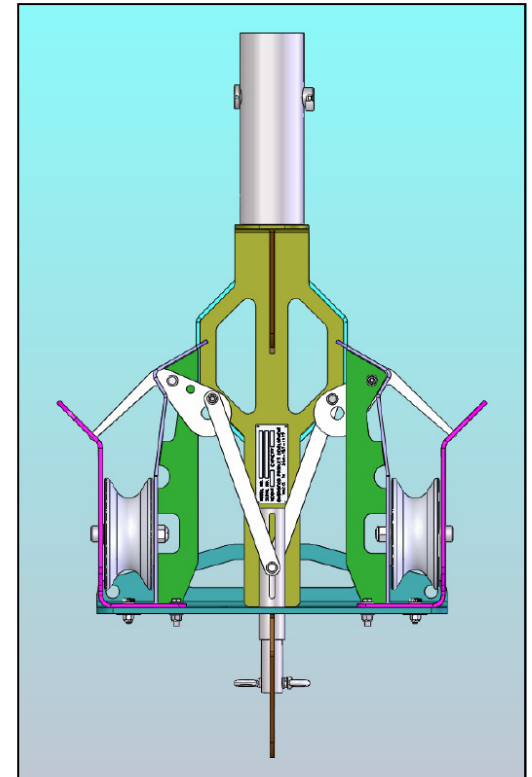
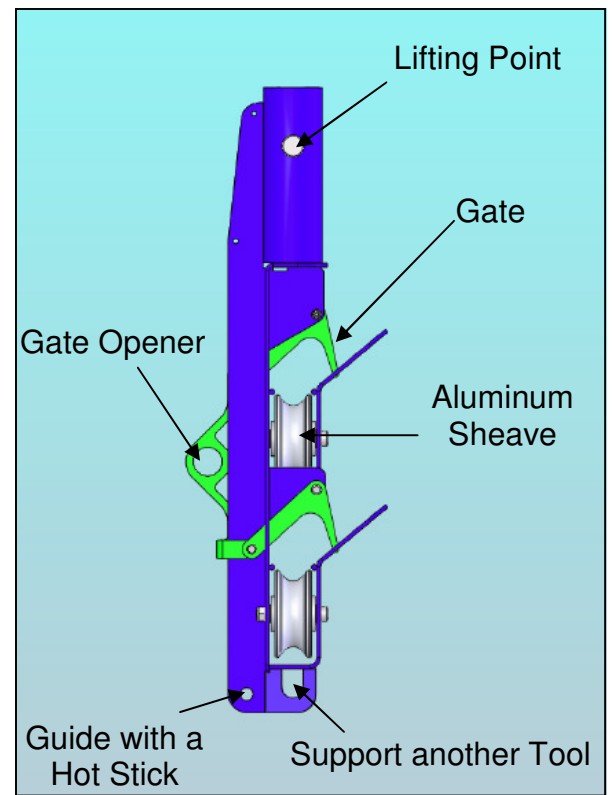
[www.diversifiedproduct.com](http://www.diversifiedproduct.com)

*The Tool Carrier is high strength and light weight to be used in conjunction with an insulated link or fiberglass pole for maintenance of energized power lines.*

*The Tool Carrier consists of 3 different tools. The horizontal tool can adjust from 12" to 18" wide, the 12" and 18" vertical tools. All 3 can be easily detached from the 12ft fiberglass pole with a safety pin.*

### TOOL CARRIER SPECS:

- ◆ **Steel/Fiberglass Construction**
- ◆ **10' Insulation**
- ◆ **Ball Bearing Sheaves**
- ◆ **Cable Size**
  - 2" = TC-3500 lbs
  - 4 1/4" = TC-7000 lbs
  - 4 1/4" = TC-10,500 lbs
- ◆ **Conductor Sheaves - 7" x 4 3/4"**
- ◆ **Gates - Secure Conductor**
- ◆ **Welded to AWS D1.1**
- ◆ **Powder Coat Finish**



**DIVERSIFIED**

**PRODUCTS**

1001 Webster Avenue  
Waco, Texas 76706  
254-757-1177 phone  
noahg@diversifiedproduct.com  
www.diversifiedproduct.com

© 2011 Diversified Products

Photos and diagrams are for promotional purposes only.

Product design and specifications may change without notice or obligation.

PRODUCT CONCEPT

PRODUCT ENGINEERING

PRODUCT FABRICATION