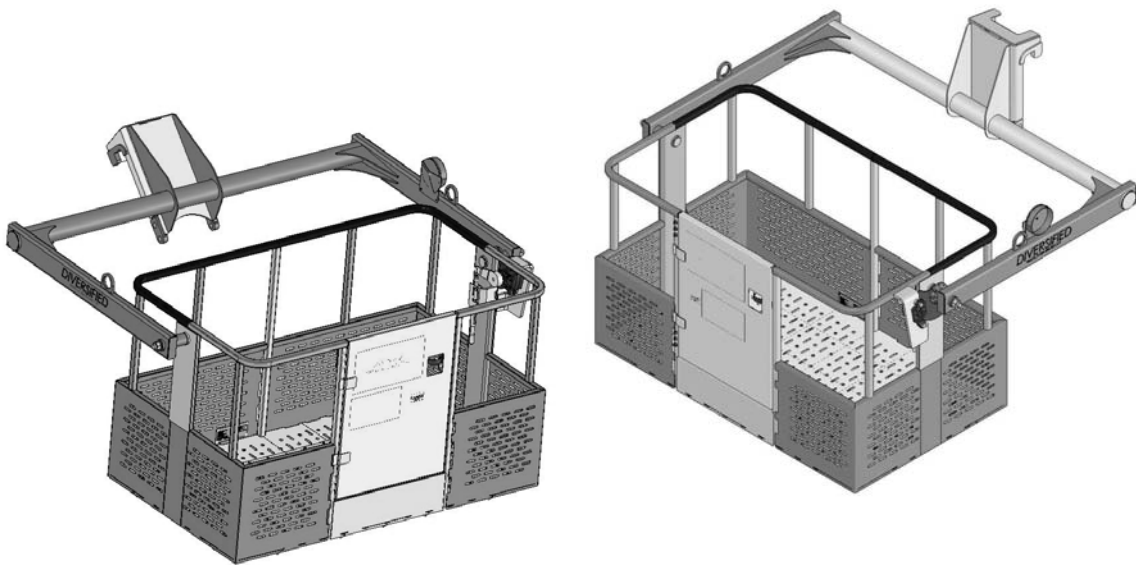


OPERATION, MAINTENANCE AND PARTS MANUAL

DIVERSIFIED

• P R O D U C T •

DEVELOPMENT



GEN II YOKE MAN BASKET



Read and understand all of the instructions and safety information in this manual before operating or servicing this piece of equipment.

Introduction

This manual has been compiled to assist you in properly operating and maintaining your Diversified Yoke Man Basket.

Before placing the man basket in service, all operators and persons working around the equipment must thoroughly read and understand the contents of the manual pertaining to **Safety, Operation and Maintenance**. Before moving the man basket, information relating to transporting the man basket must be read and observed.

The manual must be retained with the man basket for use by subsequent operating personnel.

Information in this manual does not replace federal, state or local regulations, safety codes or insurance requirements.

Table of Contents

Description 2

Safety 2

Purpose of this Manual 2

Other Publications..... 2

Important Safety Information..... 3-5

Specifications..... 6

Operation 6

Transport..... 6

Replacement Parts (60799, 60800)7-8

Replacement Parts (62138) 9-10

Quick Change Assembly.....11-13

Description

The Diversified Yoke Man Basket is a personnel lifting system that can be used on various crane heads. It is to be used in accordance with the instructional and warning decals that are fixed to the man basket and are published in this manual and in accordance with the other publications listed in this manual.

Safety

Safety is essential in the use and maintenance of this Diversified equipment. This manual and any markings on this piece of equipment provide information for avoiding hazards and unsafe practices related to the use of this equipment. Observe all of the safety information provided.

Purpose of this Manual

This manual is intended to familiarize all personnel with the safe operation and maintenance procedures for the following Diversified piece of equipment:

Yoke Man Basket

Keep this manual available.

Replacement manuals are available for download.

Other Publications


ASME B30.5

ASME B30.23

All specifications are nominal and may change as design improvements occur. Diversified Product Development shall not be liable for damages resulting from misapplication or misuse of its products.

KEEP THIS MANUAL

IMPORTANT SAFETY INFORMATION



SAFETY ALERT SYMBOL

This symbol is used to call your attention to hazards or unsafe practices which could result in an injury or property damage. The signal word, defined below, indicates the severity of the hazard. The message after the signal word provides information for preventing or avoiding the hazard.

⚠ DANGER

Immediate hazards which, if not avoided, **WILL** result in severe injury or death.

⚠ WARNING

Hazards which, if not avoided, **COULD** result in severe injury or death.

⚠ CAUTION

Hazards or unsafe practices which, if not avoided, **MAY** result in injury or property damage.

NOTICE

Indicates a statement of company policy directly or indirectly related to the safety of personnel or protection of property.


⚠ DANGER


FAILURE TO OBEY THE FOLLOWING WILL RESULT IN DEATH OR SERIOUS INJURY

- PRIOR TO OPERATION, TRUCK MUST BE SECURELY PARKED, DRIVELINE DISENGAGED AND PLATFORM ASSEMBLY PROPERLY INSTALLED
- TO AVOID TIP-OVER, OUTRIGGERS MUST BE PROPERLY EXTENDED TO A SOLID LEVEL SURFACE
- OPERATE ALL CONTROLS SLOWLY FOR A SMOOTH PLATFORM MOTION. MAKE SURE CONTROLS ARE RETURNED TO NEUTRAL AFTER DESIRED OPERATION
- CREW MUST USE PROPER PERSONAL AND OTHER PROTECTIVE EQUIPMENT
- NEVER LOAD BEYOND RATED CAPACITY
- NEVER OPERATE CRANE DEVICE WITH PERSONNEL UNDER JIB OR PLATFORM
- NEVER MOVE THE TRUCK UNTIL THE PLATFORM ASSEMBLY AND OUTRIGGER ARE PROPERLY STOWED AND SECURED
- REFER TO THE CRANE MANUAL AND PLATFORM OPERATION MANUAL FOR COMPLETE INSTRUCTIONS

PER ANSI Z535.4-1998 61504

⚠ DANGER





RELEASING THE BRAKE WILL RESULT IN DEATH OR SERIOUS INJURY

- DO NOT LEAVE BASKET WITH HANGAR POSITIONED OR ELEVATED ABOVE BASKET WHEN BASKET IS NOT ATTACHED TO BOOM OR JIB
- DO NOT RELEASE BRAKE LEVER WITHOUT FIRMLY SUPPORTING HANGER

PER ANSI Z535.4-1998 33408

⚠ CAUTION
 MAXIMUM PLATFORM CAPACITY IS 600 POUNDS
 2 PERSONS
PER ANSI Z535.4-1998 33418

⚠ CAUTION
 MAXIMUM BASKET CAPACITY IS 1200 POUNDS
 2 PERSONS
PER ANSI Z535.4-1998 61596

IMPORTANT SAFETY INFORMATION

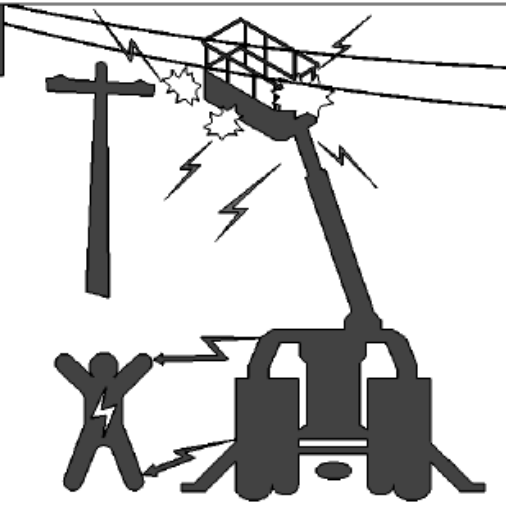
⚠ DANGER

**ELECTROCUTION HAZARD
THIS MACHINE IS NOT INSULATED**

DEATH OR SERIOUS INJURY WILL RESULT FROM CONTACT WITH OR INADEQUATE CLEARANCE FROM ELECTRICAL POWER LINES AND APPARATUS.

MAINTAIN SAFE CLEARANCES FROM ELECTRICAL POWER LINES IN ACCORDANCE WITH APPLICABLE GOVERNMENT REGULATIONS. ALLOW FOR BOOM, BASKET, ELECTRICAL-LINE SWAY.

THIS MACHINE DOES NOT PROVIDE PROTECTION FROM CONTACT WITH OR PROXIMITY TO AN ELECTRICALLY CHARGED POWER LINE.



PER ANSI Z535.4-1998 33422

⚠ DANGER

YOU MUST NOT OPERATE THIS CRANE UNLESS:

1. YOU HAVE BEEN TRAINED IN THE SAFE OPERATION OF THIS CRANE
2. YOU KNOW AND FOLLOW THE SAFETY AND OPERATING RECOMMENDATIONS CONTAINED IN THE CRANE MANUFACTURERS MANUAL, BASKET OPERATORS MANUAL, YOUR EMPLOYERS WORK RULES, AND APPLICABLE GOVERNMENT REGULATIONS.

AN UNTRAINED OPERATOR SUBJECTS HIMSELF AND OTHERS TO DEATH OR SERIOUS INJURY

PER ANSI Z535.4-1998 33416

NOTICE

REFER TO OPERATING INSTRUCTIONS DETAILED IN DECALS, BASKET OPERATORS MANUAL AND CRANE OPERATORS MANUAL

PER ANSI Z535.4-1998 33423

⚠ DANGER

THE COMBINED WEIGHT OF THE BASKET AND ATTACHMENT DEVICE, PERSONNEL, TOOLS AND OTHER EQUIPMENT MUST NOT EXCEED 50% OF THE APPLICABLE LIFTING CAPACITY CHART FOR THE CRANE.

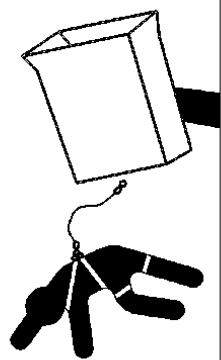
PER ANSI Z535.4-1998 33415

⚠ DANGER

FALLING FROM BASKET WILL RESULT IN DEATH OR SERIOUS INJURY

BASKET PERSONNEL MUST WEAR A SAFETY HARNESS WITH A LANYARD ATTACHED TO ANCHOR POINT PROVIDED.

BASKET DOORS MUST BE SECURELY LATCHED.



PER ANSI Z535.4-1998 33407

⚠ WARNING

LOAD LINE MUST BE STOWED AND WINCH FUNCTION DISABLED FOR BASKET OPERATIONS

PER ANSI Z535.4-1998 33414

IMPORTANT SAFETY INFORMATION

OPERATING INSTRUCTIONS

QUICK ATTACH/DISC BRAKE OPERATION:

Before using the controls, the operator must be familiar with the warnings and safety instructions of the Basket, Crane and the work practices of the Company.

Personnel in the basket must strictly adhere to the instructions, warnings, cautions and dangers described in the decals located on the crane and basket assembly.

The crane and basket assembly are **NON-INSULATED**. Minimum approach distances to electrical lines and electrically charged devices must be maintained.

Fall protection devices must be worn by each occupant in the basket.

Each fall protection lanyard must be individually attached to a designated anchor point. Attach only one lanyard per anchor point.

Additional safety equipment such as hard hat, eye protection and foot protection shall be worn in accordance to company and job site regulations.

All boom movements must be performed slowly and deliberately. Abrupt control operation will result in erratic movements.

The combined weight (including the basket assembly, personnel, tools and other equipment) must not exceed 50% of the lifting capacity chart for the crane.

When bringing the basket back to the ground, use light down pressure only.

Overpowering the basket into the ground may result in irreparable structural damage to the basket assembly and/or the crane.

BASKET BRAKE:

The Disc brake is used to lock the basket position.

For complete brake adjustments consult the manual.

Rotate end of handle to adjust brake.

Avoid contacting objects with the side of the basket causing excessive force to be applied to the basket assembly. Structural damage to the basket and/or boom may result.

BASKET MOUNTING:

Prior to mounting the basket to the crane, the crane must be setup and leveled in accordance to the crane manufacturer's instructions and specifications.

Place basket assembly on level ground at an appropriate distance from the crane.

Position the crane tip under the basket assembly mounting points.

Raise or lower the basket arm so the angle of the mount points matches the angle of the tip. Use the basket brake to maintain this angle.

Slowly lift the crane boom to engage the tip onto the basket assembly top mounting points.

CAUTION: Pinch Zone! Keep hands, fingers and body parts clear of the mounting attachment points. Serious bodily injury will result.

Once the basket mounting points are fully engaged into the tip mounting ears, install the keeper pins through the holes in the lower mounting pins.

INSPECTION:

Prior to operating this unit, the operator must check the following:

Complete visual inspection of the basket assembly, mounting pins, pivot pins and brake assembly.

Visually inspect all welds on the basket assembly to be free of cracks or separations.

Visually inspect that the mounting pin keepers are in place and secure.

Before any boom function operation, insure that the pre-operational checklist for the crane has been completed.

The lifting capacity of the basket or crane are not being exceeded.

The Load-Moment Indicator system is properly calibrated for the addition and capacity of the basket assembly.

Check the entire operating environment (including overhead) for hazards or obstructions prior to operating crane.

PER ANSI Z39.1-1984 C-3.4

Specifications

Gen II - 90° Yoke Man Basket - 4 ft Wide Option

Model Number62138
 Man Basket Load Capacity
 600 lb (272.7 kg) (2 persons)
 Man Basket Assembly Weight 600 lb (272.15 kg)
 Depth
 Basket 36" (91.44 cm)
 Assembly 64.31" (163.35 cm)
 Length 48" (121.92 cm)
 Height
 Maximum Assembly Height 57.56" (146.2 cm)
 Basket Height..... 43.63" (110.82 cm)

Gen II - 90° Yoke Man Basket

Model Number60799
 Man Basket Load Capacity
 1200 lb (544.3 kg) (2 persons)
 Man Basket Assembly Weight619.39 lb (280.95 kg)
 Depth
 Basket 42.69" (104.8 cm)
 Assembly 81.45" (206.9 cm)
 Length 88.3" (224.28 cm)
 Height
 Maximum Assembly Height 56.78" (144.2 cm)
 Basket Height.....43.6" (110.7 cm)

Gen II - 45° Yoke Man Basket

Model Number 60800
 Man Basket Load Capacity
 1200 lb (544.3 kg) (2 persons)
 Man Basket Assembly Weight..... 619.36 lb (280.94 kg)
 Depth
 Basket 42.69" (104.8 cm)
 Assembly 89.60" (227.57 cm)
 Length 88.3" (224.28 cm)
 Height
 Maximum Assembly Height 50.64" (128.6 cm)
 Basket Height 43.6" (110.7 cm)

Operation

Pre-Operation

1. Inspect the man basket assembly for any structural damage, cracked welds or missing parts.
2. Check that the brake works properly before operation.
3. Check that the man basket assembly is properly pinned to the crane's boom head and that cross pins are in place in each mounting pin.

Operation

See operating instructions decal on page 5.

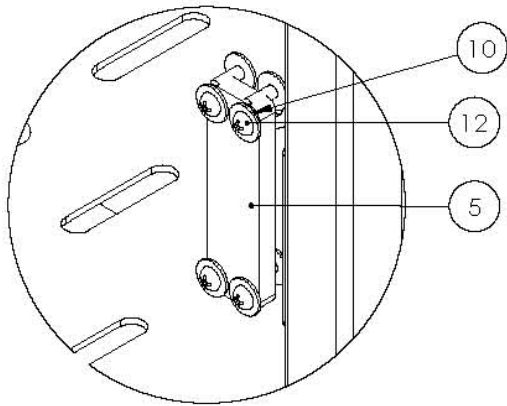
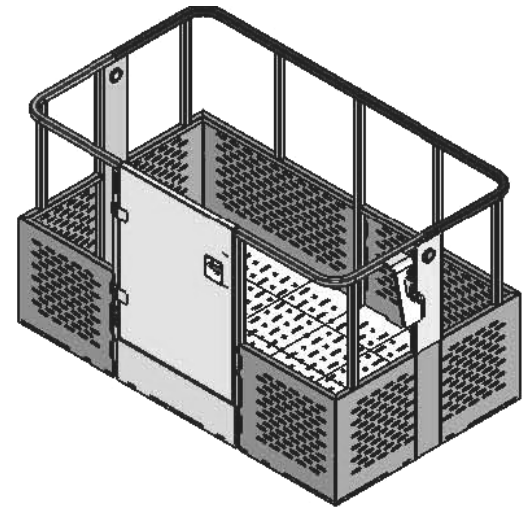
Operation must comply with the "operations" section of ASME B30.23.

Transport

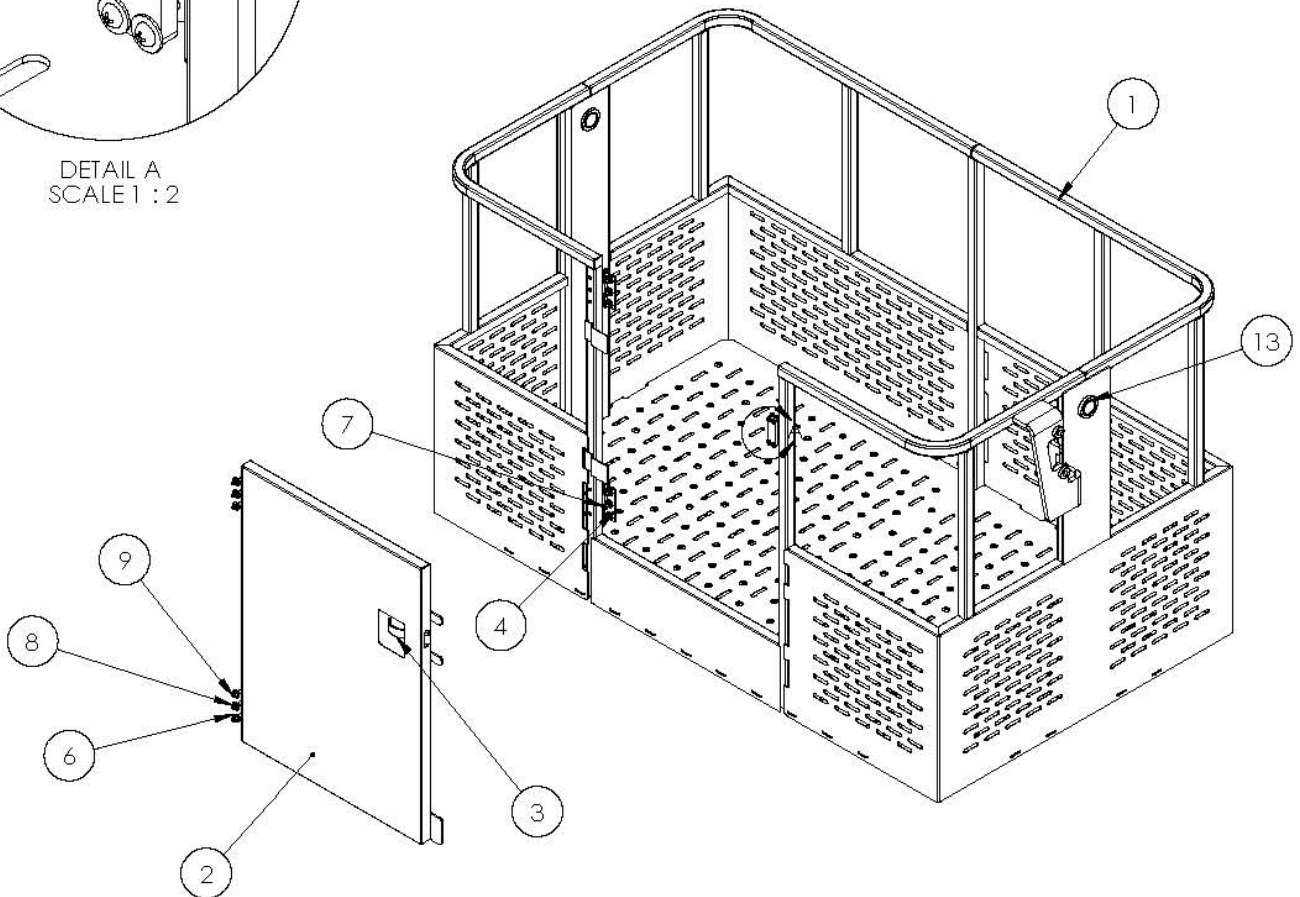
When transporting the man basket assembly, the brake should not be engaged. Properly secure the entire assembly to the transporting vehicle. Do not transport the man basket install on the crane. Do not secure the man basket at the mid-span of the rails. Rather, secure it at points close to the vertical members.

Replacement Parts 60799, 60800

| BASKET ASSY GEN II YOKE STYLE (60801) | | | |
|---------------------------------------|-----|----------|--------------------------------------|
| ITEM NO. | QTY | PART NO. | DESCRIPTION |
| 1 | 1 | 60802-01 | GEN II YOKE BASKET FOR CALIPER BRAKE |
| 2 | 1 | 60341 | WELDMENT, DOOR |
| 3 | 1 | 62251 | LOCK, CAB NO. 55 RH |
| 4 | 2 | 240247 | HINGE, PLATFORM |
| 5 | 1 | 60307 | SPACER, HANDLE |
| 6 | 24 | | WASHER, FLAT, 5-16 DIA, SAE |
| 7 | 6 | | HHCS, 5/16-18 UNC, 1" LONG |
| 8 | 12 | | NUT, HEX, 5/16-18UNC |
| 9 | 6 | | HBOLT, 5/16-18 X 2" LG |
| 10 | 8 | | WASHER, FLAT, #10 DIA, SAE |
| 12 | 4 | | RHMS, #10-24 X 3/8 LONG |
| 13 | 2 | 62252 | BUSHING, BUNTING EP242832 |



DETAIL A
SCALE 1 : 2

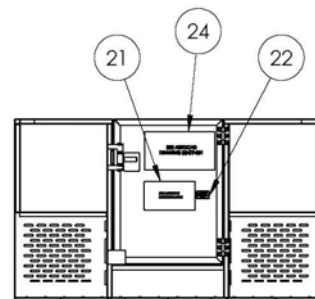
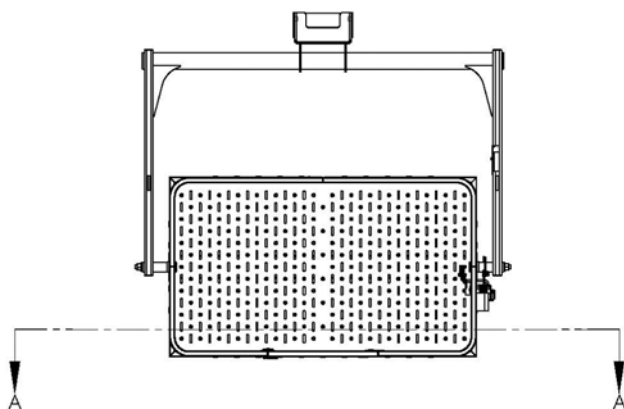
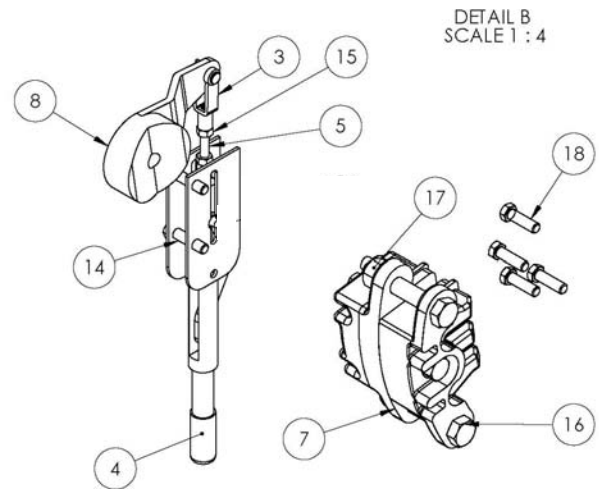
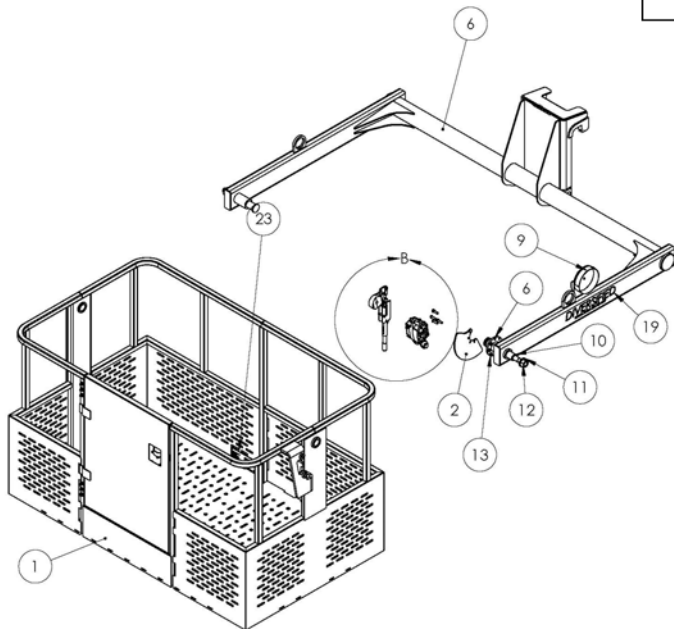
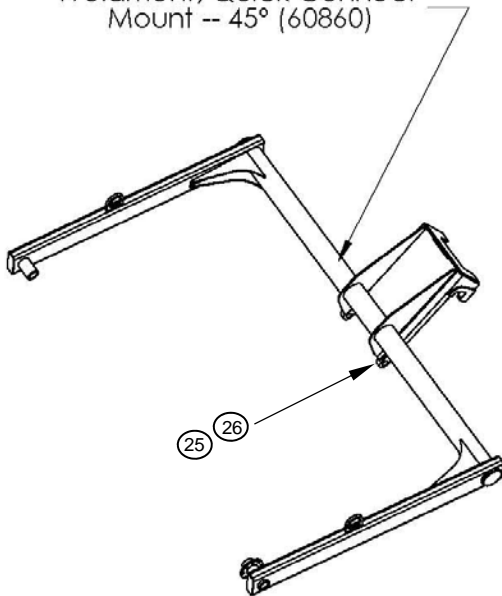


Product Development LLC

Replacement Parts 60799, 60800

| GEN II - STRAIGHT YOKE BASKET (60799) | | | |
|---------------------------------------|-----|-----------|--|
| ITEM NO. | QTY | PART NO. | DESCRIPTION |
| 1 | 1 | 60801 | BASKET ASSEMBLY GEN II YOKE STYLE |
| 2 | 1 | 60829 | DISC, BRAKE |
| 3 | 2 | | CLEVIS, ROD ENDS, 5/16-24, MCM #1583K13 |
| 4 | 1 | | BRAKE LEVER ASSEMBLY, ORSCHELN #02182600 |
| 5 | 1 | 60831 | LINKAGE, BRAKE |
| 6 | 1 | 60830 | WELDMENT, QUICK CONNECT MOUNT |
| 7 | 1 | | DISK BRAKE MB3 |
| 8 | 1 | | LEVER, DISC BRAKE, MB3 |
| 9 | 1 | 240030-00 | ASSEMBLY, ANGLE INDICATOR |
| 10 | 2 | 61504 | PIN, PLATFORM PIVOT, LONG |
| 11 | 2 | | WASHER, FLAT, 1.00 DIA SAE |
| 12 | 2 | | NUT, LOCK, 1-14UNF |
| 13 | 6 | | NUT, HEX, 3/8-16 |
| 14 | 2 | | HHCS, 3-8-16UNC, 1.5 LONG |
| 15 | 2 | | NUT, HEX, 5/16-18UNC |
| 16 | 2 | | HHCS, 5-8-11UNC, 3.50 LONG |
| 17 | 2 | | NUT, HEX, 5/8-11UNC |
| 18 | 4 | | HHCS, 3-8-16UNC, 1.25 LONG |
| 19 | 2 | 60472 | DIVERSIFIED VINYL DECAL |
| 21 | 1 | 61684 | DECAL, OPERATOR INSTRUCTIONS |
| 22 | 1 | 61595 | DECAL, 1200 LB CAPACITY |
| 23 | 1 | 60475 | PLATE, SERIAL NUMBER |
| 24 | 1 | 33477-001 | DECAL, SINGLE |

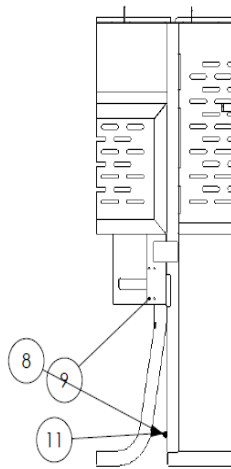
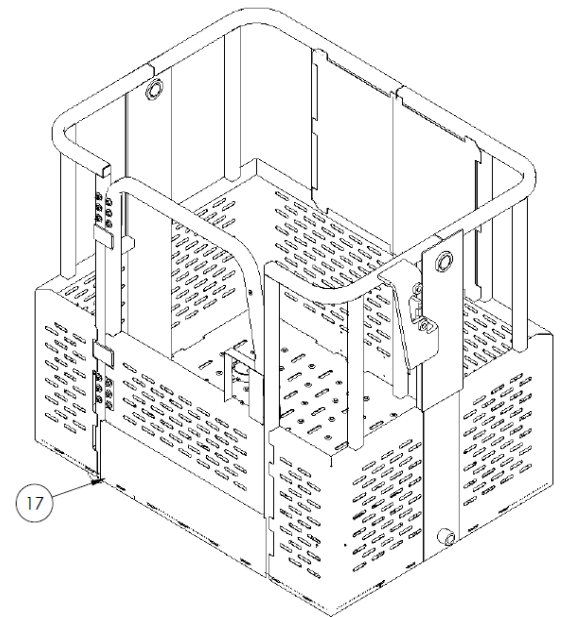
Weldment, Quick Connect Mount -- 45° (60860)



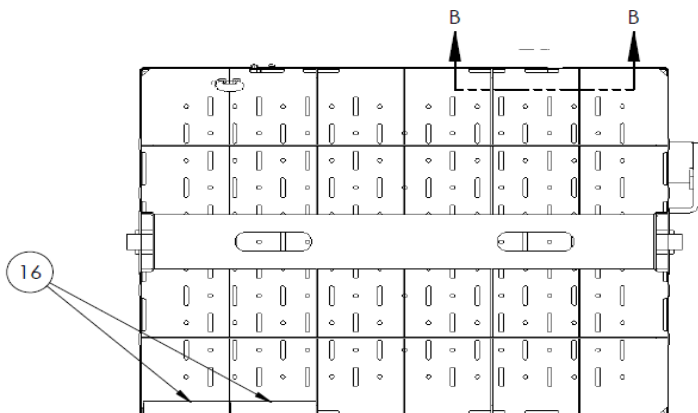
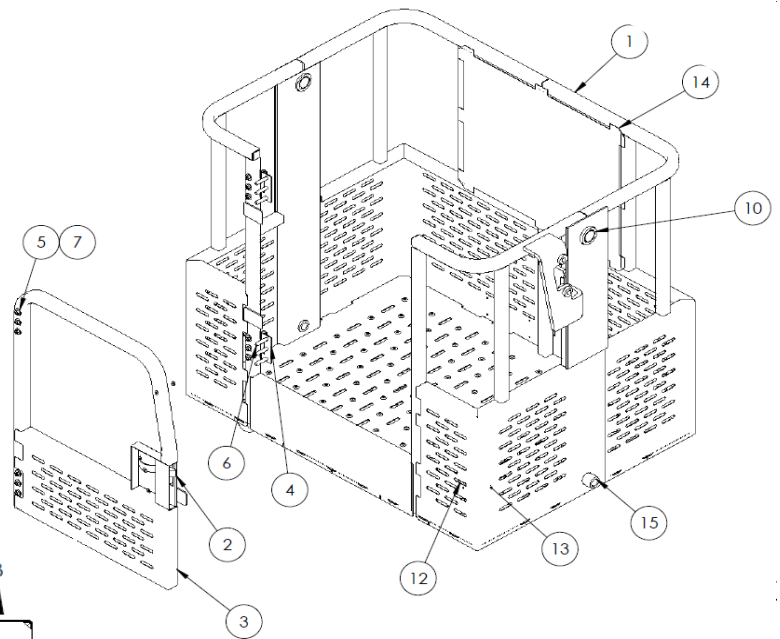
SECTION A-A
SCALE 1 : 30

Replacement Parts 62138

| ITEM NO. | 62142-01/QTY. | PART NO. | DESCRIPTION |
|----------|---------------|----------|--|
| 1 | 1 | 62141 | WELDMENT, BASKET, 4', LARGE DISC BRAKE |
| 2 | 1 | 62251 | LOCK, CAB NO. 55 RH |
| 3 | 1 | 61704 | DOOR WELDMENT, 4 FT YOKE |
| 4 | 2 | 240247 | HINGE, PLATFORM |
| 5 | 30 | | WASHER, FLAT, 5-16 DIA, SAE |
| 6 | 12 | | HHCS, 5-1/16-18 UNC, 2.00 LG |
| 7 | 12 | | NUT, HEX, 5/16-18UNC |
| 8 | 8 | | WASHER, FLAT, #10 DIA, SAE |
| 9 | 4 | | RHMS, #10-24UNC X 5/8 LONG |
| 10 | 2 | 62252 | BUSHING, BUNTING EP242832 |
| 11 | 4 | | NUT, LOCK, #10-24 UNC |
| 12 | 1 | 61966 | CANISTER HOLDER |
| 13 | 2 | 62246 | RIVET, POP |
| 14 | 1 | 61721 | DECAL PLATE |
| 15 | 2 | 62342 | BASKET HOLDING PIN TUBE |
| 16 | 2 | 62346 | CABLE GUIDE |
| 17 | 1 | 62409 | 3/8 ANCHOR SHACKLE |

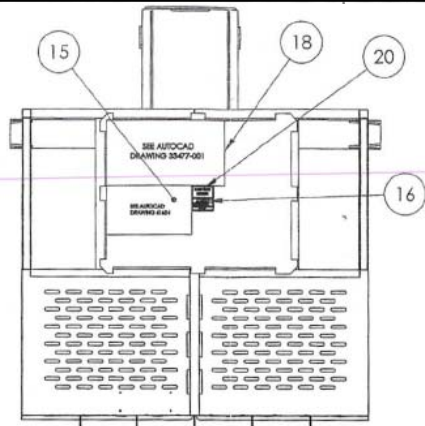
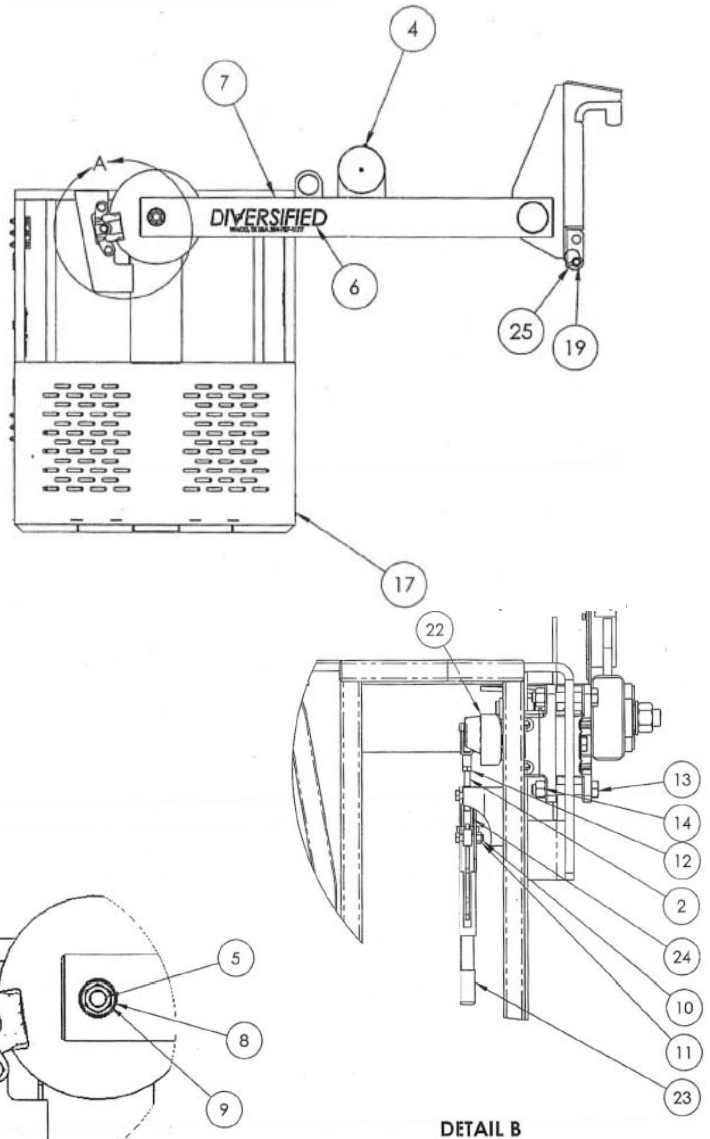


SECTION B-B



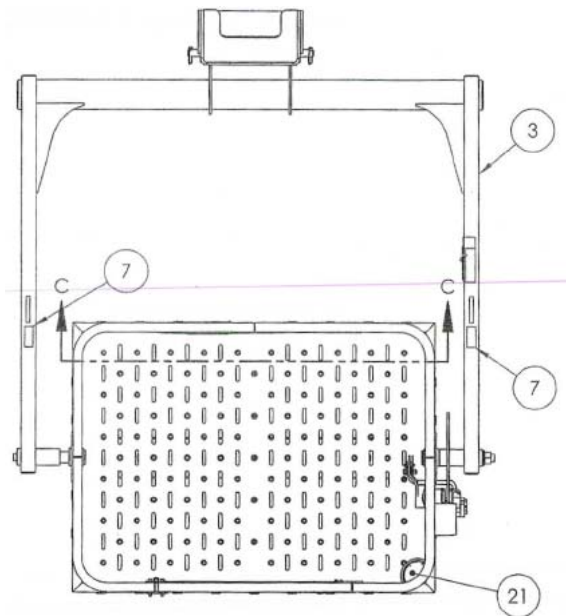
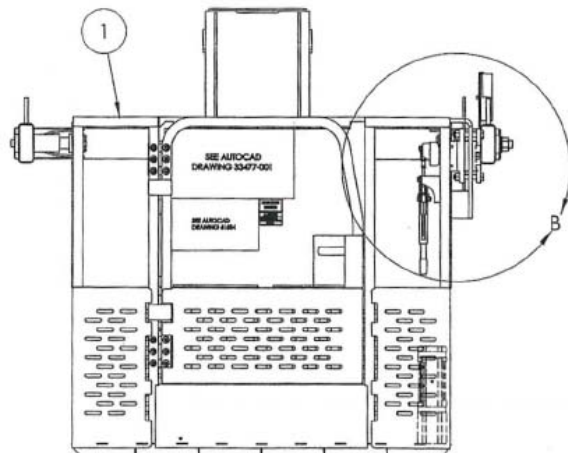
Replacement Parts 62138

| | | | |
|----------|------|-----------|--|
| 27 | 4 | | RIVET, POP, 1/8", ALUM, FASTENAL#41003 |
| 26 | 1 | 62240 | DISK BRAKE MB3 |
| 25 | 2 | 62241 | LINCH PIN 5/16" DIA X 1-3/4" |
| 24 | 2 | 62243 | CLEVIS, ROD ENDS, 5/16-24, MCM #1583K13 |
| 23 | 1 | 62242 | BRAKE LEVER ASSEMBLY, ORSCHELN #02182600 |
| 22 | 1 | 62239 | LEVER, DISC BRAKE, MB3, INLAND |
| 21 | 1 | 62238 | MANUAL PAK 9000-14 |
| 20 | 1 | 61983 | LOAD CHART DECAL |
| 19 | 1 | 61252 | PIN, BOOM ADAPTER MOUNT |
| 18 | 1 | 33477-001 | DECAL, SINGLE |
| 17 | 1 | 60475 | PLATE, SERIAL NUMBER |
| 16 | 1 | 33418 | DECAL, 600 LB CAPACITY |
| 15 | 1 | 61684 | DECAL, OPERATOR INSTRUCTIONS |
| 14 | 2 | | NUT, HEX, 5/8-11UNC |
| 13 | 2 | | HHCS, 5-8-11UNC, 3.50 LONG |
| 12 | 2 | | NUT, HEX, 5/16-18UNC |
| 11 | 2 | | NUT, HEX, 3/8-16 |
| 10 | 2 | | HHCS, 3-8-16UNC, 1.5 LONG |
| 9 | 2 | | NUT, LOCK, 1-14UNF |
| 8 | 2 | | WASHER, FLAT, 1.00 DIA SAE |
| 7 | 2 | 33409 | DECAL, ANCHOR POINT |
| 6 | 2 | 60472 | DIVERSIFIED VINYL DECAL |
| 5 | 2 | 61504 | PIN, PLATFORM PIVOT, LONG |
| 4 | 1 | 240030-00 | ASSEMBLY, ANGLE INDICATOR |
| 3 | 1 | 62143 | WELDMENT, INLINE YOKE |
| 2 | 1 | 60831 | LINKAGE, BRAKE |
| 1 | 1 | 62142 | ASSEMBLY, BASKET, 4', LARGE DISC BRAKE |
| ITEM NO. | QTY. | PART NO. | DESCRIPTION |



DETAIL A

DETAIL B

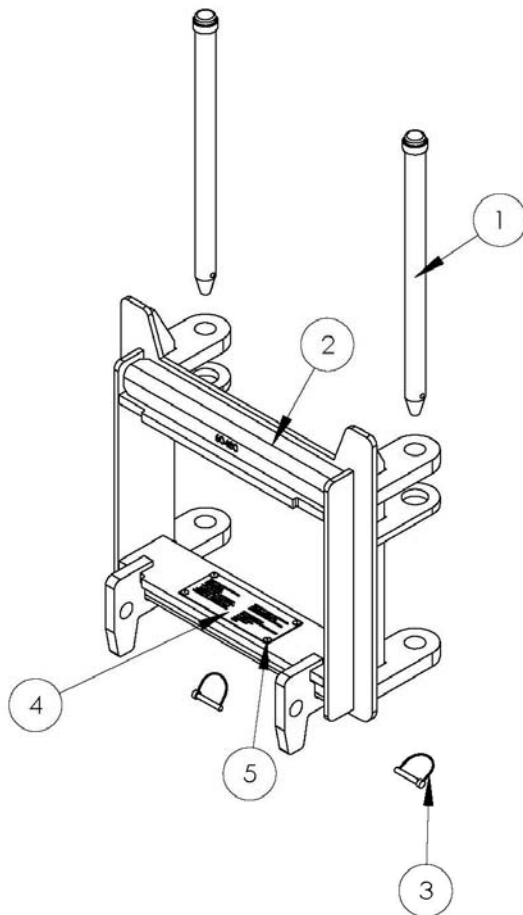


Quick Change Assembly Replacement Parts for Straight Boom Cranes

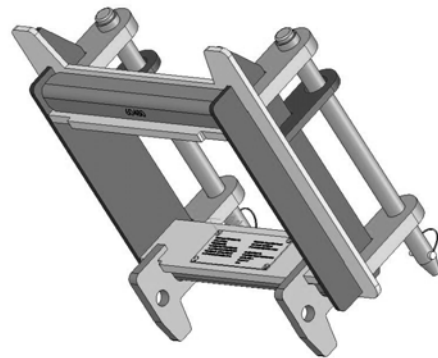
Chart of Quick Change Assemblies and Replacement Parts

| ASSEMBLY | WELDMENT | PIN, BOOM ADAPTER MOUNT | LINCH PIN | PLATE, SERIAL NO. | RIVET, DRIVE |
|-----------------|----------|----------------------------|--------------|----------------------|--------------|
| MANITEX | | | | | |
| 61629 | 60480 | 61252 | MCM98416A125 | 61867 | MCM97086A505 |
| 61631 | 60510 | 61252 | MCM98416A125 | 61867 | MCM97086A505 |
| 61630 | 60540 | 61252 | MCM98416A125 | 61867 | MCM97086A505 |
| 61632 | 60545 | 61252 | MCM98416A125 | 61867 | MCM97086A505 |
| NATIONAL | | | | | |
| 61585 | 61270 | 61252 | MCM98416A015 | | |
| 61586 | 61279 | 61252 | MCM98416A015 | 61867 | MCM97086A505 |
| 61587 | 61274 | 61252 | MCM98416A015 | | |
| ALTEC | | | | | |
| 61590 | 61273 | 61252 | MCM98416A125 | 61867 | MCM97086A505 |
| TEREX | | | | | |
| 61591 | 61566 | 61252 | MCM98416A125 | 61867 | MCM97086A505 |

Example Parts Page for 61629

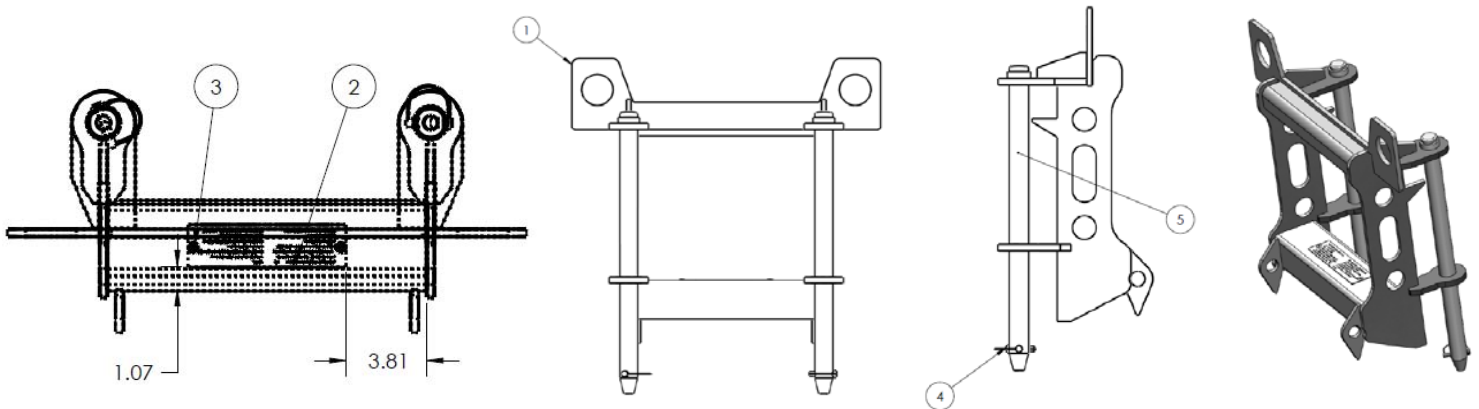


| QUICK CHANGE ADAPTER (61629) | | | |
|------------------------------|-------------|---|------|
| ITEM NO. | PART NUMBER | DESCRIPTION | QTY. |
| 1 | 61301 | PIN, QUICK CHANGE, 1.250 DIA | 2 |
| 2 | 60480 | Quick Connect Weldment, 17-3/4 Pin | 1 |
| 3 | | LINCH PIN 5/16" DIA X 1-3/4", MCM 98416A125 | 2 |
| 4 | 61867 | PLATE, ADAPTER SERIAL NUMBER | 1 |
| 5 | | RIVET, DRIVE, MCM 97086A505 | 4 |



Boom Truck Quick Change Assembly Replacement Parts

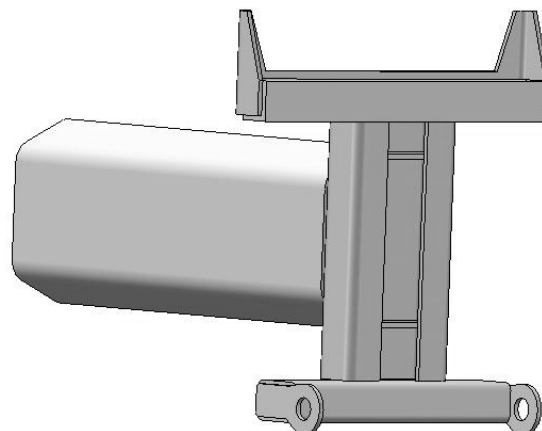
| | | | ITEM 5 | ITEM 1 | ITEM 2 | ITEM 3 | ITEM 4 | |
|----------|-------------------|---------------|-------------------------------|--------|-----------------------|---------------------|--------|-----------|
| | CRANE MANUFACTURE | CRANE MODEL # | QUICK CHANGE ADAPTER ASSEMBLY | PIN # | QUICK CHANGE WELDMENT | SERIAL NUMBER PLATE | RIVET | LINCH PIN |
| QUANTITY | - | - | - | 2 | 1 | 1 | 2 | 2 |
| | NATIONAL | 500E | 62137-01 | 61269 | 61970-01 | 61979 | 62314 | 62241 |
| | | 671 E2 | 62137-02 | 61269 | 61970-02 | 61979 | 62314 | 62241 |
| | | 890D | 62137-03 | 61269 | 61970-03 | 61979 | 62314 | 62241 |
| | | 13105 | 62137-03 | 61269 | 61970-03 | 61979 | 62314 | 62241 |
| | | 13110A | 62137-03 | 61269 | 61970-03 | 61979 | 62314 | 62241 |
| | | 13110H | 62137-03 | 61269 | 61970-03 | 61979 | 62314 | 62241 |
| | | 8100 | 62137-03 | 61269 | 61970-03 | 61979 | 62314 | 62241 |
| | | 13100A | 62137-03 | 61269 | 61970-03 | 61979 | 62314 | 62241 |
| | | 14100 | 62137-04 | 61269 | 61970-04 | 61979 | 62314 | 62241 |
| | | 14127 | 62137-04 | 61269 | 61970-04 | 61979 | 62314 | 62241 |
| | | 15103 | 62137-05 | 61269 | 61970-05 | 61979 | 62314 | 62241 |
| | | 18142 | 62137-05 | 61269 | 61970-05 | 61979 | 62314 | 62241 |
| | | 9103A | 62137-05 | 61269 | 61970-05 | 61979 | 62314 | 62241 |
| | ALTEC | 18-70 | 62137-11 | 61299 | 61970-11 | 61979 | 62314 | 62241 |
| | | 26 | 62137-19 | 61299 | 61970-19 | 61979 | 62314 | 62241 |
| | | 35-103 | 62137-07 | 61299 | 61970-07 | 61979 | 62314 | 62241 |
| | | 38-103 | 62137-07 | 61299 | 61970-07 | 61979 | 62314 | 62241 |
| | | 38-127 | 62137-20 | 61299 | 61970-20 | 61979 | 62314 | 62241 |
| | MANITEX | 1200 | 62137-18 | 61301 | 61970-18 | 61979 | 62314 | 62241 |
| | | 1501 | 62137-18 | 61301 | 61970-18 | 61979 | 62314 | 62241 |
| | | 26101 | 62137-08 | 61301 | 61970-08 | 61979 | 62314 | 62241 |
| | | 22101 | 62137-08 | 61301 | 61970-08 | 61979 | 62314 | 62241 |
| | | 30112 | 62137-08 | 61301 | 61970-08 | 61979 | 62314 | 62241 |
| | | 30102 | 62137-08 | 61301 | 61970-08 | 61979 | 62314 | 62241 |
| | | 2892 | 62137-08 | 61301 | 61970-08 | 61979 | 62314 | 62241 |
| | | 30100 | 62137-09 | 61299 | 61970-09 | 61979 | 62314 | 62241 |
| | | 35100 | 62137-09 | 61299 | 61970-09 | 61979 | 62314 | 62241 |
| | | 38100S | 62137-09 | 61299 | 61970-09 | 61979 | 62314 | 62241 |
| | | 40100S | 62137-09 | 61299 | 61970-09 | 61979 | 62314 | 62241 |
| | | 30124 | 62137-10 | 61299 | 61970-10 | 61979 | 62314 | 62241 |
| | | 35124 | 62137-10 | 61299 | 61970-10 | 61979 | 62314 | 62241 |
| | | 38124S | 62137-10 | 61299 | 61970-10 | 61979 | 62314 | 62241 |
| | | 40124S | 62137-10 | 61299 | 61970-10 | 61979 | 62314 | 62241 |
| | TEREX | 60100 | 62137-06 | 61299 | 61970-06 | 61979 | 62314 | 62241 |
| | | 4792 | 62137-06 | 61299 | 61970-06 | 61979 | 62314 | 62241 |
| | ELLIOTT | 1800 | 62137-12 | 61269 | 61970-12 | 61979 | 62314 | 62241 |
| | | 32117 | 62137-13 | 61269 | 61970-13 | 61979 | 62314 | 62241 |
| | | 30T | 62137-13 | 61269 | 61970-13 | 61979 | 62314 | 62241 |
| | | 26105 | 62137-13 | 61269 | 61970-13 | 61979 | 62314 | 62241 |
| | | 24105 | 62137-13 | 61269 | 61970-13 | 61979 | 62314 | 62241 |
| | | 18125 | 62137-21 | 61269 | 61970-21 | 61979 | 62314 | 62241 |
| | TADANO | 1882 | 62137-14 | 61301 | 61970-14 | 61979 | 62314 | 62241 |
| | | 20110 | 62137-14 | 61301 | 61970-14 | 61979 | 62314 | 62241 |
| | | 35100 | 62137-15 | 62322 | 61970-15 | 61979 | 62314 | 62327 |



Knuckle Boom Quick Change Assembly Replacement Parts

| CRANE MANUFACTURE | CRANE MODEL # | QUICK CHANGE ADAPTER ASSEMBLY | SERIAL NUMBER PLATE | RIVET |
|-------------------|---------------|-------------------------------|---------------------|-------|
| IMT | | | | |
| | 52/380 k8 | 61935 | 91979 | 62314 |
| | 910 k3 | 62196 | 91979 | 62314 |
| | 13/88 k4 | 62413 | 91979 | 62314 |
| | 15200 H2 | 62685 | 91979 | 62314 |
| | 10/65 | 62686 | 91979 | 62314 |
| | 1498 | 62687 | 91979 | 62314 |
| | 5200 H2 1M | 62689 | 91979 | 62314 |
| | 17/117 | 62559 | 91979 | 62314 |
| AMCO VEBA | | | | |
| | 950 6S | 62150 | 91979 | 62314 |
| HIAB | | | | |
| | 166E-5 Duo | 62622 | 91979 | 62314 |

Example Quick Change Part Number 62150



DIVERSIFIED

• P R O D U C T •

DEVELOPMENT

1001 Webster Avenue
Waco, Texas 76706

254-757-1177 phone
254-757-1188 fax

dpd@diversifiedproduct.com

© 2010 Diversified Product Development