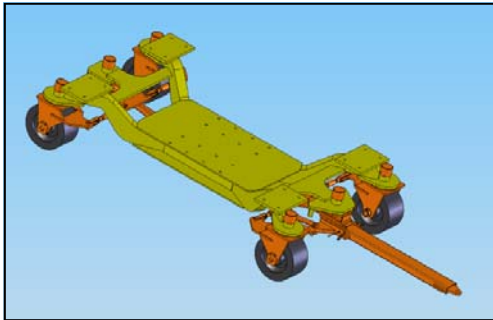


# Industrial Products

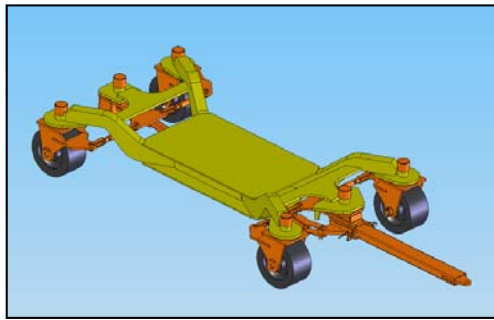
## Transporter-30



Dedicated Transporter-30



Flex Deck Transporter-30



Drop Deck Transporter-30

### *Dimensions and capacities*

Capacity.....	30,000 lbs.	Turn Radius.....	67"
Length.....	130"	Tires.....	Polyurethane
Width.....	73"	Hold Down...Powered Ratchet and Chain	
Height.....	37.5"	Tongue.....	Retractable
Weight.....	6,000 lbs.		
Wheel Base.....	110"	All Wheel Mechanical Steering	



1001 Webster Avenue  
 Waco, TX 76706  
 254-757-1177 phone  
 254-757-1188 fax  
 dpd@diversifiedproduct.com  
 diversifiedproduct.com

### *Diversified Product Development*

*From extensive to small-scale specialty equipment needs, your project team is provided with the resources needed to achieve superior quality and on-time completion of product development.*



*Industrial products designed and created by Diversified Product Development include the Tire Lifter, Chassis Lifter, SP-6, SP-100, Assembly Lifter and the Transporter-15.*