

# GEN II ROTATING MAN BASKET



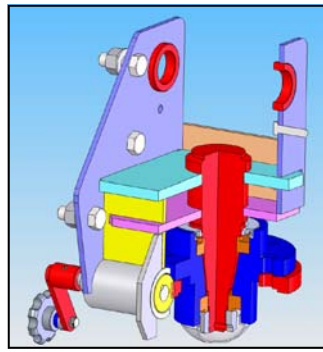
**DIVERSIFIED**

**P R O D U C T S**

(254) 757-1177

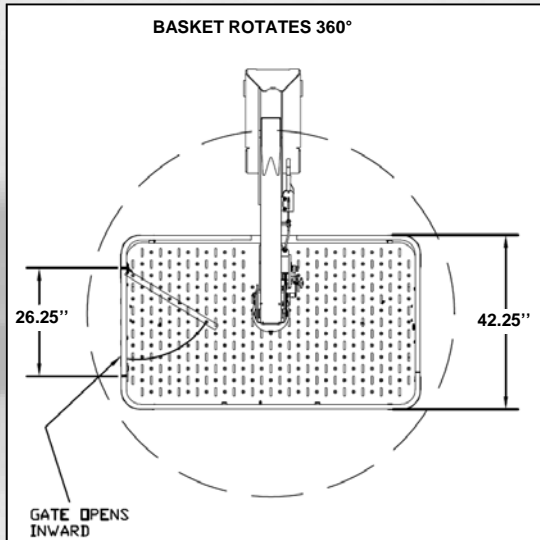
[www.diversifiedproduct.com](http://www.diversifiedproduct.com)

*The next generation basket designed by engineers after many years of input from operators and field crews*



#### ROTATOR

- High capacity hub, spindle and bearings
- Self locking worm gear
- 360° Rotation
- EXTREMELY SERVICEABLE



- Full-sized floor provides more space for men and materials – 21 square feet



#### BRAKE

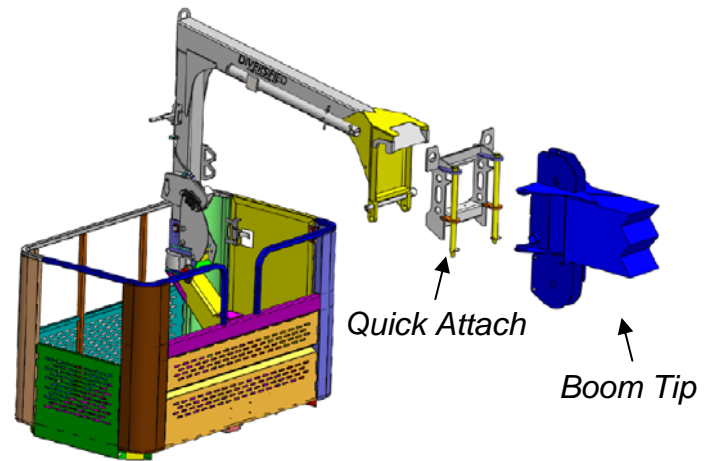
- High capacity caliper brake
- Heavy duty linkage
- Plated brake disc

#### ENTRANCE

- Heavy duty hinges with stainless steel pins provide long life
- Basket entrance has reinforcement for rugged applications
- Gate clearance to the floor provides added storage space

#### Features and Benefits:

- Steel construction to meet the rigors of contractors and utility applications
- Floor (42"x 72")
  - slots in floor to drain water
  - upset holes for skid resistance
- Assembly designed utilizing solid modeling and Finite Element Analysis
- Meets or exceeds industry standards



#### QUICK ATTACH MOUNTING

- Ease of installation on a crane tip
- Basket universal mounting permits installation on multiple cranes



1001 Webster Avenue  
 Waco, Texas 76706  
 254-757-1177 phone  
 noahg@diversifiedproduct.com  
 www.diversifiedproduct.com  
 © 2009 Diversified Products

*Contact Diversified for all your man basket needs. Yoke style 4', 6', single man, rotating and special requirements.*

*Diversified Products provides customer-focused solutions to make you more efficient, productive and safe. We manufacture innovative products driven by input straight from the field.*