

GEN II ROTATING MAN BASKET



DIVERSIFIED

P R O D U C T S

(254) 757-1177

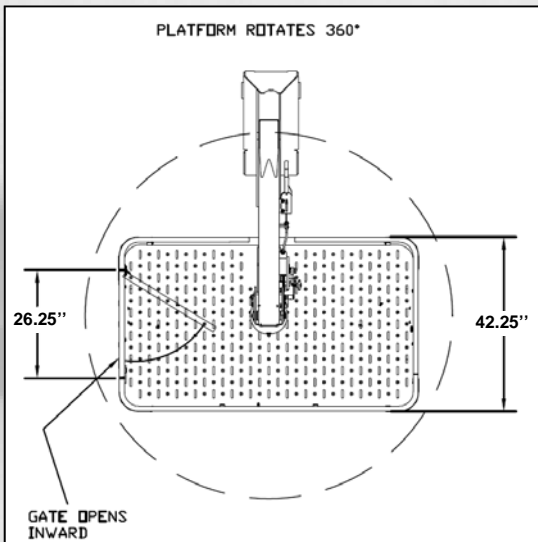
www.diversifiedproduct.com

This is the next generation platform designed by engineers after many years of input from operators and field crews.



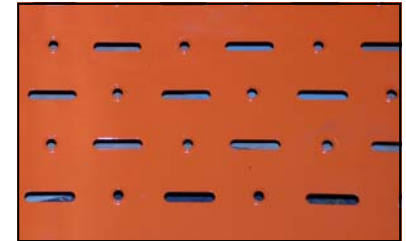
BRAKE

- High capacity caliper brake
- Heavy duty linkage
- Plated brake disc



WORK AREA

- Large open area for increased productivity
- Full-sized floor provides more space for men and materials – 21 square feet



FLOOR

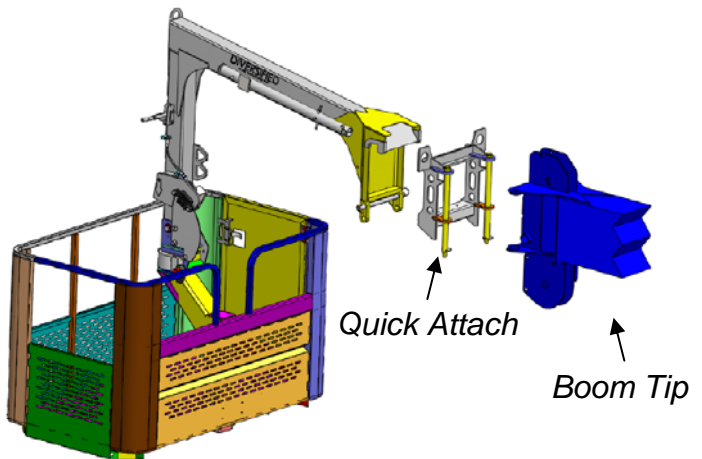
- Slots in the floor to drain water
- Upset holes for skid resistance
- 42" x 72"

ENTRANCE

- Heavy duty hinges with Stainless Steel pins provide long life
- Platform entrance has reinforcement for rugged applications
- Gate clearance to the floor provides added storage space

Features and Benefits:

- Steel construction to meet the rigors of contractors and utility applications.
- Fabricated with laser produced parts, keyed together, then welded into place by certified welders.
- Entire assembly designed utilizing solid modeling and Finite Element Analysis.
- Meets or exceeds industry standards



QUICK ATTACH MOUNTING

- Ease of installation on a crane tip
- Platform universal mounting permits installation on multiple cranes

DIVERSIFIED

P R O D U C T S

1001 Webster Avenue
 Waco, Texas 76706
 254-757-1177 phone
 254-757-1188 fax
 noahg@diversifiedproduct.com
 © 2009 Diversified Product Development

Contact Diversified for all your man basket needs. Yoke style 4', 6', single man, rotating and special requirements.

Diversified Products provides customer-focused solutions to make you more efficient, productive and safe. We manufacture innovative products driven by input straight from the field.

PRODUCT CONCEPT

PRODUCT ENGINEERING

PRODUCT FABRICATION